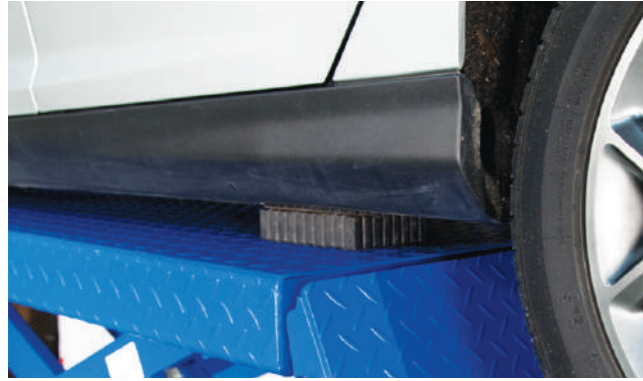


# DS35 Double Scissor Lift



Composite polymer rubber adapter pads are placed on platforms for vehicle spotting.

Shown: #FJ2427 / 38mm adapter pad

## Vehicle Spotting / Adapter Contact Options

Consult users manual for proper adapter usage and options.



### Included with the DS35

Set of four 12.7mm Flat Polymer Rubber Pad Adapters



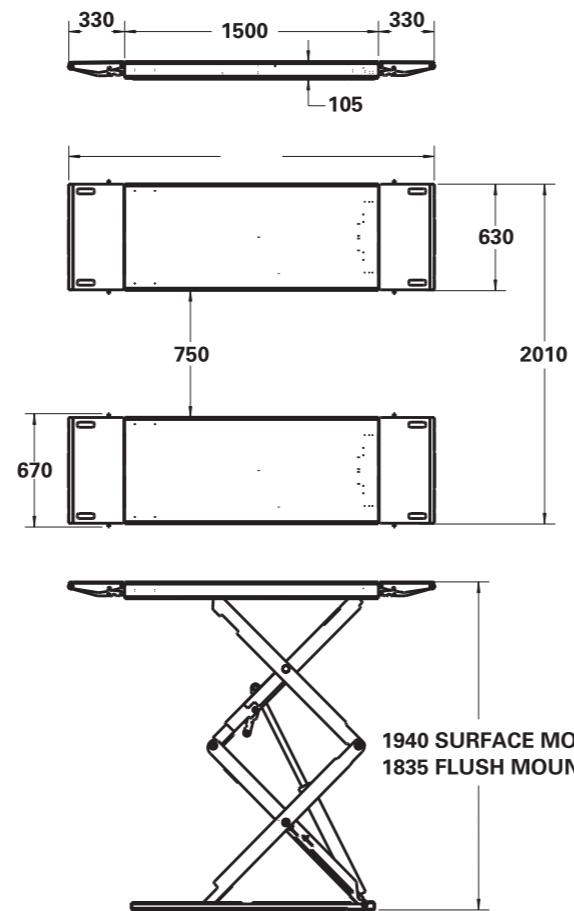
Set of four 38mm Flat Polymer Rubber Pad Adapters



Set of four 76mm Flat Polymer Rubber Pad Adapters

## Specifications / DS35

Lifting Capacity	3500kg
Maximum Rise	1940mm surface mounted* 1835mm recessed mounted
Lowered Height	105mm
Width Overall	2010mm
Overall Length	2160mm
Width Between Platforms	750mm
Platform Length	1500mm
Ramp Length	330mm
Motor / Voltage	Single Phase - 50/60Hz, 3KW, 208-230V 3 Phase - 50Hz, 3KW, 380V
Time of Full Rise	43 seconds



\* Rise measures floor to top of runway at full stroke.



Lifts are available in blue and gray. Control consoles are gray only.



### Rotary Lift Consolidated (haimen) Co.,Ltd

No.1388,East Xiushan Road,Haimen, Jiangsu Province,China  
Australia/New Zealand: p 86.21.60812756  
South East Asia: p 91.80.41123421.26  
India: p 91.120.4099.555  
www.vsg-asia.com



Lit# Rotary DS35\_Cutsheet.2016.06  
©2016 VEHICLE SERVICE GROUP™, Printed in China, All Rights Reserved.  
Unless otherwise indicated, ROTARY LIFT, VEHICLE SERVICE GROUP™, DOVER and all other trademarks are property of Dover Corporation and its affiliates.

\* Technical data and composition presented in this cut sheet may vary. Pictures reproduced are only indicative.



# DS35 Double Scissor Lift

3500KG CAPACITY DRIVE OVER PAD SERVICE LIFT



Shown: DS35

**Low profile double scissor designed with the industry's most innovative equalization.**

*The World's Most Trusted Lift™*

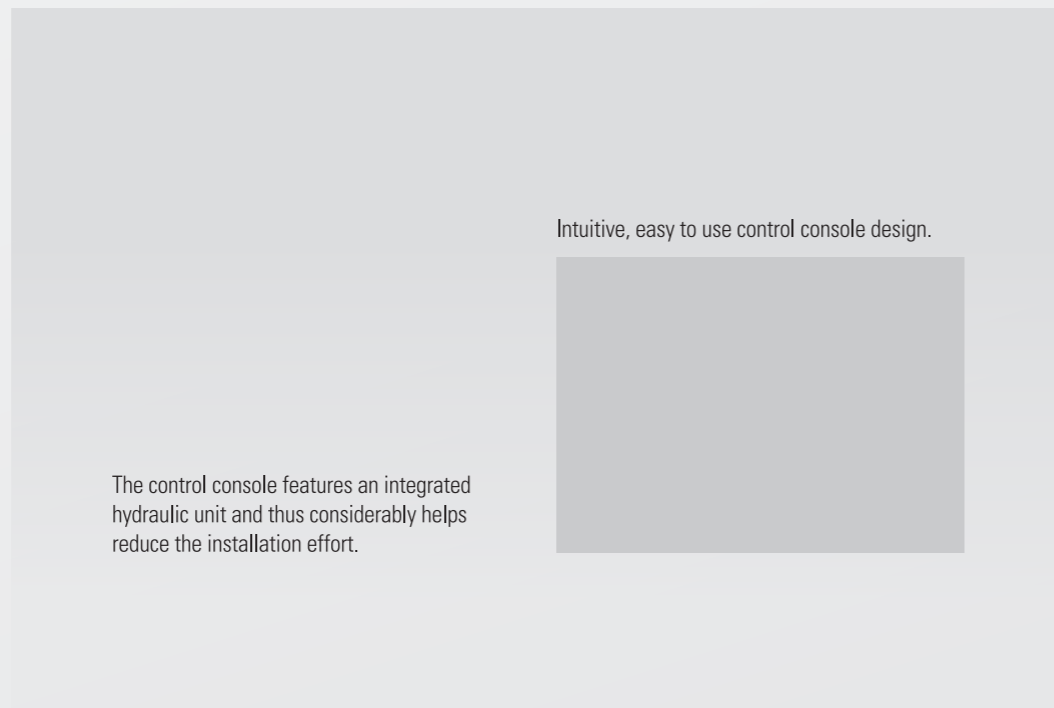
**Engineered for quick service, fast repair work, and shops with small spaces.  
This compact, lightweight scissor structure offers years of service.**

**DESIGN ADVANTAGE**

Shown: DS35

**Feature Checklist**

- ✓ Low drive-over clearance allows for effortless positioning of low profile vehicles.
- ✓ Oversized platforms accommodate a wide range of vehicles and pickup points.
- ✓ 1940mm rise height creates working space for the tallest technicians.
- ✓ Hinged ramps drop down to a 65 degree angle for easy access to wheel service.
- ✓ Patent pending composite high strength steel construction delivers long life.
- ✓ Surface or flush mounted option.
- ✓ CE Certified.



Intuitive, easy to use control console design.

The control console features an integrated hydraulic unit and thus considerably helps reduce the installation effort.

Hydraulic synchronizing system featuring self leveling is capable of preventing unbalanced lifting.

Platforms feature a durable, powder coated diamond plate surface.

Underhung ramps with polymer rollers maximize vehicle spotting footprint. The ramps fold up, lock in place and increase lifting capabilities by extending the pick-up point surface area.

Hinged ramps fold 65 degrees down and away, allowing for more access to perform wheel and brake service.

Lift dampener provides soft landing when lift is lowered to the ground.

High strength, composite steel scissor legs.

Low profile design with integrated folding ramps accommodate a variety of vehicle types.

Hot dipped galvanized platform base protects flush mounted lift components from corrosion.

Upper and lower limit cylinder protection system can ensure safety of operators and vehicles.